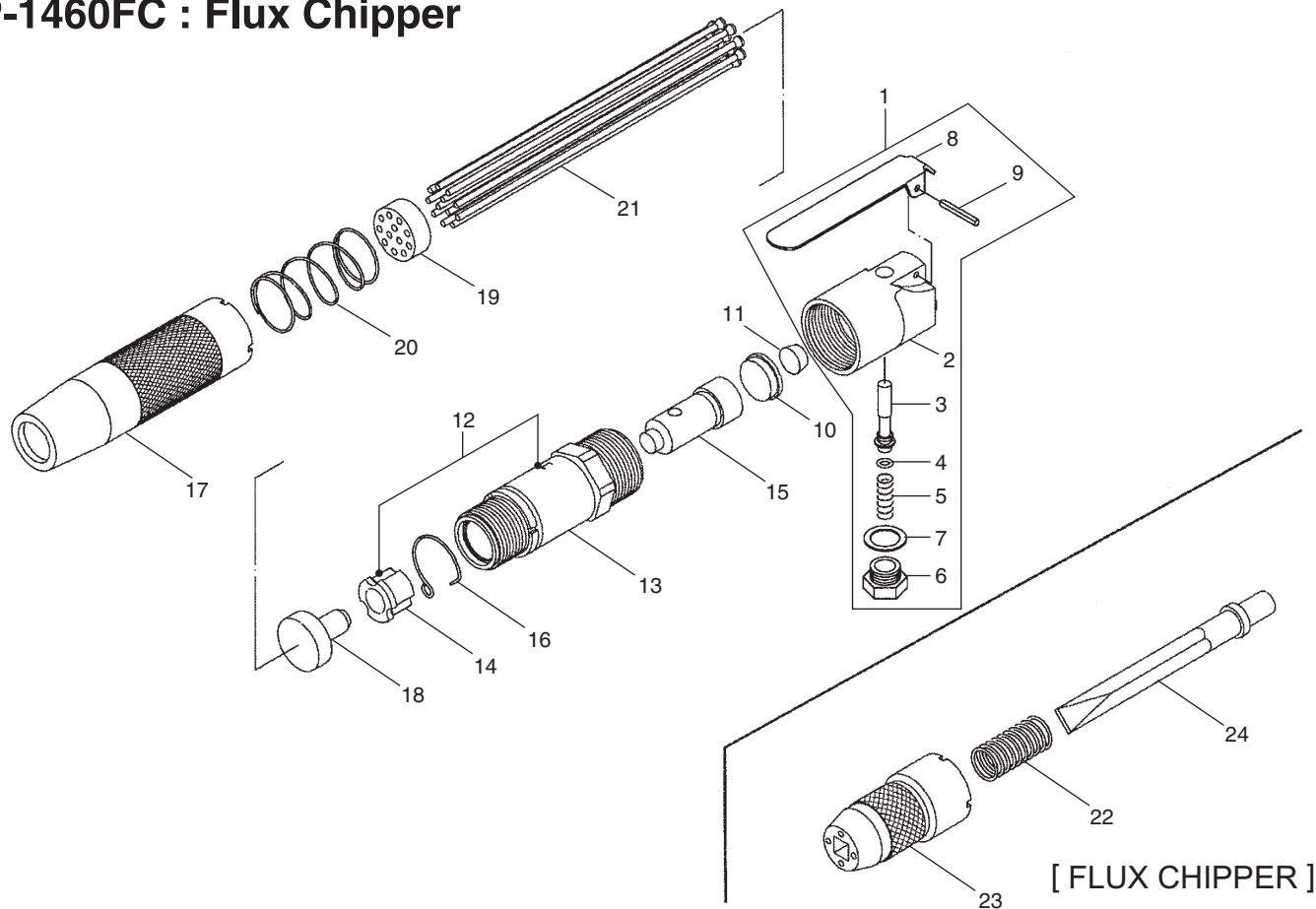


# NEEDLE SCALER & FLUX CHIPPER

EXPLODED VIEW

SP-1460 : Needle Scaler

SP-1460FC : Flux Chipper



PARTS LIST

Index No.	Parts No.	Description	Qty. Per tool
1	460-01	Throttle Body Assy	1
2	460-02	Throttle Body	1
3	460-03	Throttle Rod	1
4	460-04	O-Ring	1
5	460-05	Throttle Spring	1
6	460-06	Throttle Cap	1
7	460-07	Gasket	1
8	460-08	Throttle Lever	1
9	460-09	Throttle Lever Pin	1
10	460-10	Cylinder Cap	1
11	460-11	Damper	1
12	460-12	Cylinder Assy	1
13	460-13	Cylinder	1
14	460-14	Cylinder Bush	1
15	460-15	Piston	1
16	460-16	Snap Ring	1
17	460-17	Needle Case	1
18	460-18	Needle Shank	1
19	460-19	Needle Holder	1
20	460-20	Spring	1
21	460-21	Needle (3mm)	12
22	460-22	Retainer Spring	1
23	460-23	Chisel Retainer	1
24	460-24	Chisel	1

Index No.	Parts No.	Description	Qty. Per tool

The types and specifications may be changed without notice.  
460, 460FC 201004S