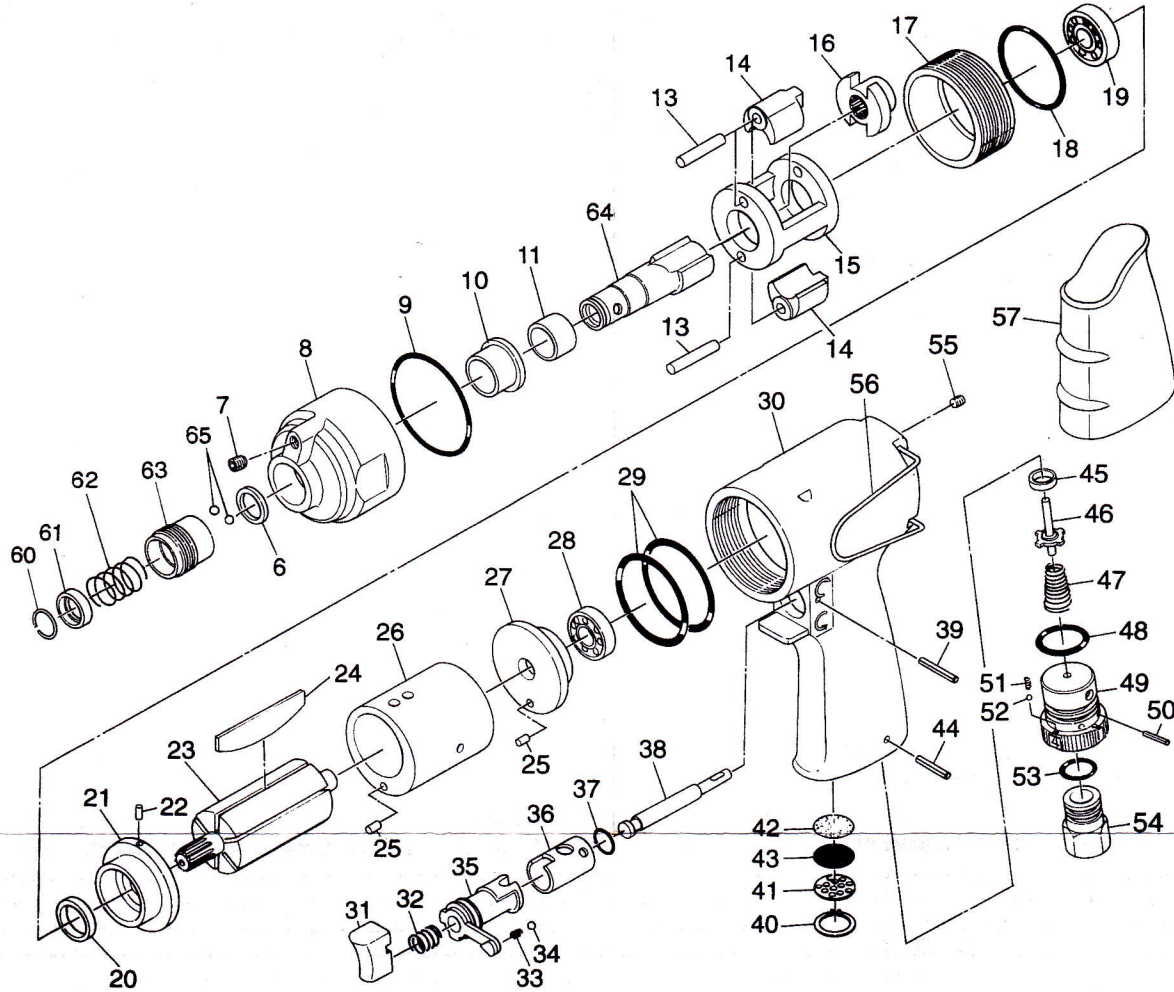


# 1/4" HEX. IMPACT DRIVER

EXPLODED VIEW



## PARTS LIST

Index No.	Parts No.	Description	Qty. Per tool
6	8102B06	Oil Seal	1
7	8102B07	Oil Plug	1
8	8102B08	Clutch Housing	1
9	8102B09	"O" Ring	1
10	8102B10	Bushing	1
11	8102B11	Collar	1
13	8102B13	Hammer Pin	2
14	8102B14	Hammer	2
15	8102B15	Hammer Cage	1
16	8102B16	Cam	1
17	8102B17	Pilot Ring	1
18	8102B18	"O" Ring	1
19	8102B19	Ball Bearing	1
20	8102B20	Oil Seal	1
21	8102B21	Front End Plate	1
22	8102B22	Spring Pin	1
23	8102B23	Rotor	1
24	8102B24	Rotor Blade	6
25	8102B25	Spring Pin	2
26	8102B26	Cylinder	1
27	8102B27	Rear End Plate	1
28	8102B28	Ball Bearing	1
29	8102B29	"O" Ring	2
30	8102B30	Housing Body	1
31	8102B31	Trigger	1
32	8102B32	Spring	1
33	8102B33	Rubber Spring	1
34	8102B34	Steel Ball	1
35	8102B35	Reverse Lever	1

Index No.	Parts No.	Description	Qty. Per tool
36	8102B36	Reverse Bushing	1
37	8102B37	"O" Ring	1
38	8102B38	Valve Stem	1
39	8102B39	Spring Pin	1
40	8102B40	Retaining Ring	1
41	8102B41	Silencer Stopper	1
42	8102B42	Filter	1
43	8102B43	Air Screen(Brass)	1
44	8102B44	Spring Pin	1
45	8102B45	Valve Seat	1
46	8102B46	Valve	1
47	8102B47	Valve Spring	1
48	8102B48	"O" Ring	1
49	8102B49	Regulator	1
50	8102B50	Spring Pin	1
51	8102B51	Spring	1
52	8102B52	Steel Ball	1
53	8102B53	"O" Ring	1
54	8102B54	Inlet Bushing	1
55	8102B55	Screw	1
56	8102B56	Hanger Hook	1
57	8102B57	Rubber Grip	1
60	8102B60	Retaining Ring	1
61	8102B61	Washer	1
62	8102B62	Quick Change Spring	1
63	8102B63	Change Sleeve	1
64	8102B64	Spindle(Double Bit Type)	1
	8102BU64	Spindle(Single Bit Type)	1
65	8102B65	Steel Ball	2

The types and specifications may be changed without notice.  
8102B 9805