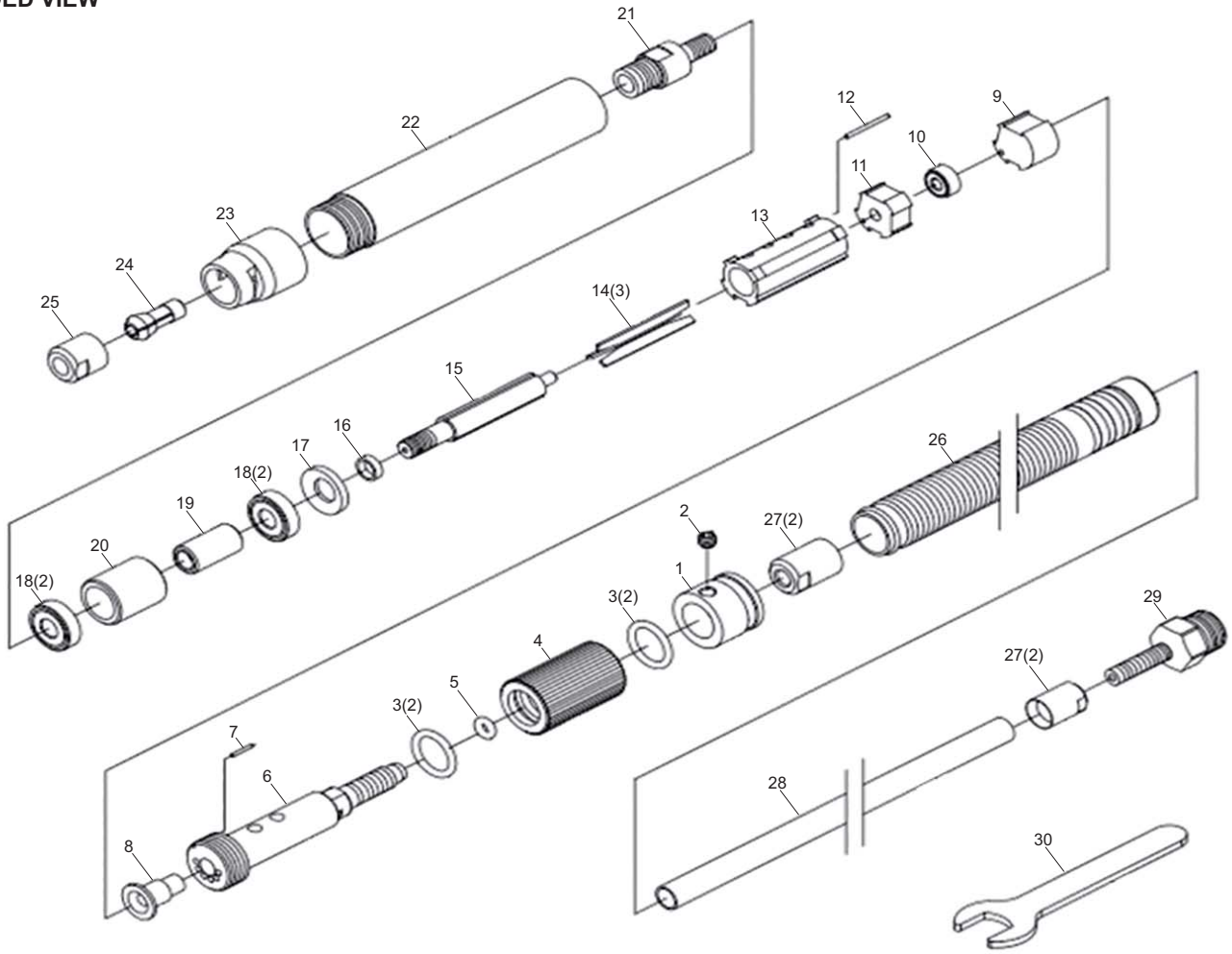


AIR MICRO GRINDER

EXPLODED VIEW



PARTS LIST

Index No.	Parts No.	Description	Qty. Per tool
1	1900-01	Rear End Holder	1
2	1900-02	Screw	1
3	1900-03	O-Ring	2
4	1900-04	Sliding Knob	1
5	1900-05	O-Ring	1
6	1900-06	Hose Plug	1
7	1900-07	Pin	1
8	1900-08	Plug	1
9	1900-09	Intake Plate	1
10	1900-10	Ball Bearing	1
11	1900-11	Bearing Plate	1
12	1900-12	Pin	1
13	1900-13	Cylinder	1
14	1900-14	Rotor Blade	3
15	1900-15	Rotor	1
16	1900-16	Spacer	1
17	1900-17	Lateral Disc	1
18	1900-18	Ball Bearing	2
19	1900-19	Interior Bearing Retainer Bushing	1
20	1900-20	Outer Bearing Retainer Bushing	1
21	1900-21	Collet Foundation	1
22	1900-22	Sleeve	1
23	1900-23	Front Cover	1
24	1900-24	Collet	1
25	1900-25	Clamping Nut	1
26	1900-26	Muffer Tube	1
27	1900-27	Hose Ring	2
28	1900-28	Air Hose	1
29	1900-29	Inlet Connector	1
30	1900-30	Spanner	1

Index No.	Parts No.	Description	Qty. Per tool

The types and specifications may be changed without notice.
 SP-1900 201806S